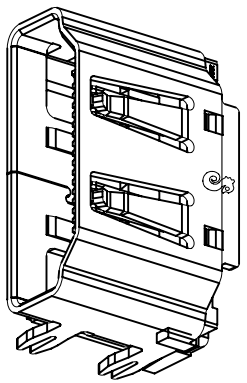
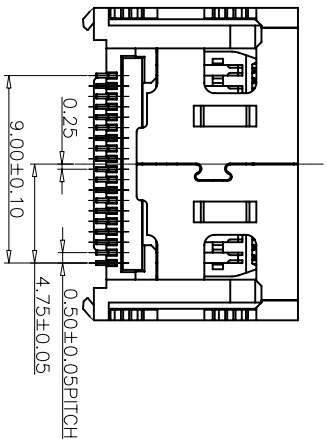
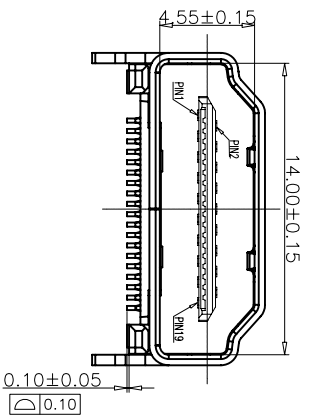
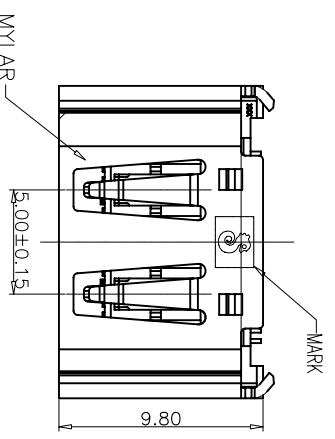
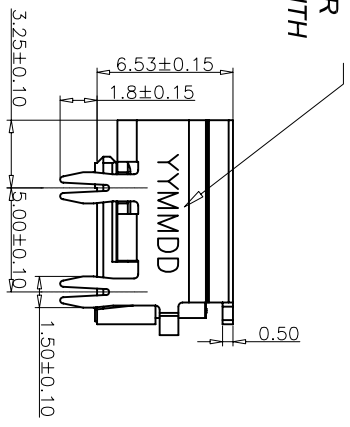


RoHS Compliant

Patent Protection



DATE CORE:
YYMMDD
(YY-YEAR
MM-MONTH
DD-DAY)

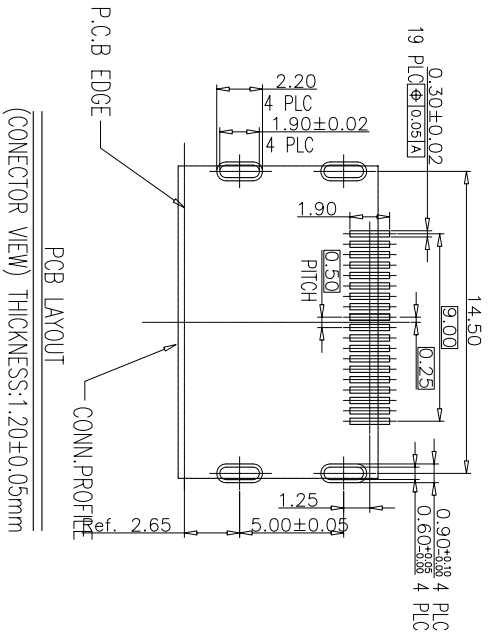


REV.	REVISION NOTE	DATE
A1	CHANGE PACKING SPEC	08-10-09

SPECIFICATIONS:

- MATERIAL: 1-1 HOUSING: HIGH TEMPERATURE THERMOPLASTIC UL 94V-0 RATED
- CONTACT: COPPER ALLOY
- SHELL: COPPER ALLOY
- PLATING: 2-1 CONTACT: GOLD PLATED OVER NICKEL
- SHELL: NICKEL PLATED / TIN PLATED OVER NICKEL
- ELECTRICAL CHARACTERISTICS: 3-1: RATING: 40V 0.5A
- CONTACT RESISTANCE: 30mΩ(MAX)(BEFORE)
- DIELECTRIC VOLTAGE WITHSTAND: 300V AC FOR ONE MINUTE
- INSULATION RESISTANCE: 10MΩ MIN. MEASURED BY 150 VDC(MATED)
- MECHANICAL CHARACTERISTICS: 4-1: INSERTED FORCE: 1.0~4.0 KGS
- WITHDRAWAL FORCE: 4.5 KGS MAX
- LIFE TEST: 10,000CYCLES MIN.
- GREEN PRODUCT IDENTIFICATION LABEL IN PACKING: (RoHS)
- FOR WAVE SOLDERING LEAD-FREE PROCESS.
- REFLOW SOLDER CAPABLE 260°C 10SECS.
- PART NO. 1165-210XX101-XX0

- SHELL MATERIAL & PLATING CODE:
 1: GOLD
 2: 5μ" GOLD
 3: 30μ" GOLD
 4: 50μ" GOLD
- MARK CODE:
 0: WITH MARK
 1: WITHOUT MARK
- PACKAGING CODE:
 1: REEL PACKAGE
 2: TUBE PACKAGE
 3: TUBE PACKAGE
- TERMINAL CONTACT AREA PLATING CODE:
 1: GOLD FLASH
 2: 5μ" GOLD
 3: 30μ" GOLD
 4: 50μ" GOLD



SCALE	UNIT	DRAWN BY	DATE
1:1	MM	Athlon Weng	2008-10-09

CHECKED BY	DATE	TITLE
		HDMI BSD FEMALE SMT(BOTTOM) TYPE

APPROVED BY	DATE	PART NO.	DRAWING NO.	SHEET 1 OF 2	REV
		1165-210XX101-XX0	CEN08002A-000	1	A1

GENERAL TOLERANCES
(UNLESS SPECIFIED)

x, x ± 0.38 x' ± 2'
 xx ± 0.25 x'' ± 1'

Comtek Electronics

HDMI BSD FEMALE SMT(BOTTOM) TYPE

1165-210XX101-XX0

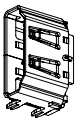
CEN08002A-000

SHEET 1 OF 2 REV A1

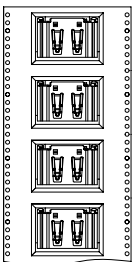
ROHS Compliant

Patent Protection

REV.	REVISION NOTE	DATE
A1	CHANGE PACKING SPEC	08-10-09

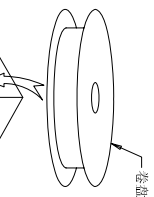


HDMI-BSD



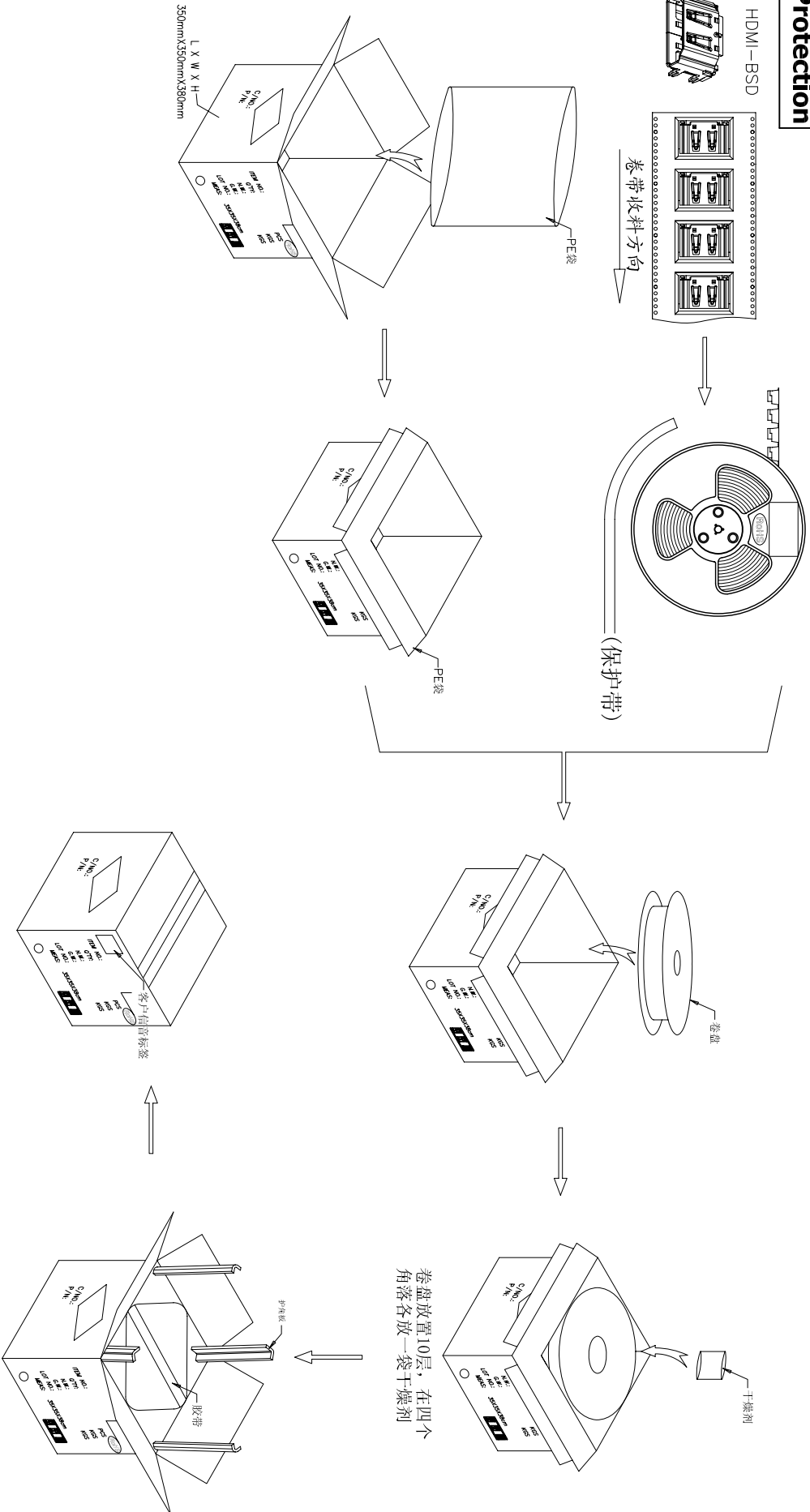
卷带收料方向

(保护带)



干燥剂

卷盘放置10层，在四个角落各放一袋干燥剂



L X W X H
350mm X 350mm X 380mm

Notes:

1. 卷带中每位置放置一个产品,每卷卷带的两端各留约30cm;
2. 边放产品边用封胶带封口,1个卷盘放置420个产品;
3. 然后再卷一圈保护带,保护带最后重叠约50MM,用皱纹胶纸将其封住,每个卷盘须贴一张ROHS标签;
4. 将PE袋套入外箱后,再将10个卷盘放入箱子,并在四个角各放入干燥剂一袋;
5. 外箱外侧以胶带封口,每个外箱外侧图示位置贴1张“ROHS”标签;
6. 每个外箱装4200PCS,每个外箱须贴客户语音标签(位置如图示)

SCALE	UNIT	DRAWN BY	DATE	TITLE
1:1	MM	Athlon Weng	2008-10-09	HDMI BSD FEMALE SMT(BOTTOM) TYPE
	SIZE	CHECKED BY	DATE	
		APPROVED BY	DATE	

GENERAL TOLERANCES
(UNLESS SPECIFIED)

X, X ± 0.38 X' ± 2'
XX ± 0.25 X' ± 1'

MATERIAL

PART NO.

1165-210XX101-XX0

FINISH

DRAWING NO.

CEN08002A-000

SHEET 2 OF 2 REV

A1

Comtek Electronics